

Tétel	Cikkszám	IFS megnevezés EN	Db
1	AM01078	Filter House - wall two filters	2
2	ABE0409	Suction 2" with nut	11
3	AKU1892	Air Regulator - house led lighted V2	2
4	ACM0912	Control Panel - IN.K1000 V2	1
5	AKU1893	On-Off tap house 33 transparent V2	1
6	AKU1891	Water Diverter 60 - LED lighted V2	1
7	AKU2101	Fountain laminar V2	6
8	AJ00253	Jet house 2" with sealing V4 1/3	6
9	AJ00254	Jet house with sealing 3"	18
10	ACM0874	Speaker 3" (2 way)	4
11	ACM0875	Grille for speaker 3" (2 way)	4
12	AJ00169	Jet - 20 SB - Ozone 90°	1
13	AKU2157	Adapter for swim theter V2	1
14	AKU2218	Led housing with seal	20
15	AKU2219	Nut for ledhouse	20
16	AF00045	pillow holder	4
17	AJ00250	Jet 7"	2
18	AJ00259	Nozzle housing nut self-aligning 2" V4 2/3	6
19	AJ00256	Washer for washer housing 2 "V4 3/3	6
20	ACM0956	Controlbox IN.Yt-8 (4 kW) USA	1
21	ACM0834	Circulation pump PCF100 1100 W without prefilter	1
22	ACM0938	UV+Ozone Spa Sanitizer-Aquanova	1
23	ACM0955	Countercurrent system 2400W 50Hz (WP300)	3
24	ABE0409	Suction 2" with nut	3
25	ACM0080	Spa Pump 3 HP - One Speed	1
26	AJ00250	Jet 7"	2
27	ACM0849	Subwoofer 288W	1
28	ACM0904	IN.STREAM-2 with quick connector	1
29	ACM0932	Led 4 prow v2	12
30	AKU1896	On-off tap grip Wellis V2	1
31	AF00061	Pillow 300x126x54 white ribbed	2
32	AJ00214	Jet 2" - transparent 1 Hole transparent V3 Wellis	6
33	AJ00217	Jet 3" - transparent 1 Hole Rotation transparent V3 Wellis	18

You must install a 30mA Residual-current device (RCD)

flow rate liter/min: **4480**
 1 person ~75 kg
 Water disp.: **375 kg**
 Minimum water: **8000 liter**

Sheet name: Amazonas - 2019 VFlow		Projection		
File name: FJ_WU00032_ENG_Amazonas-2019_W-flow_úszómedence_USA		El. nds: 240 V - 62A - 60Hz		
Dimension SPA: 2350x5500x1470 mm	Weight of the SPA: kg	Control box: GECKO YT8 + IN.K1000 - 4KW		
Rim height: 150 mm	Approved by: Losteiner Sándor	Pr. No: P-00182	Number: WU00032	C
Created: 2020. 05. 15.	Drawer: losteiner.sandor - 2020. 05. 14. 15:15:50	Fe. No:	A3	M 1:50

Installation instruction

Residual-Current Device (RCD) having a rated operating residual-current not exceeding 30 mA is must

The stated dimensions are for reference only. The actual dimension may be different from the specified

L: Drain diameter: 50 mm

E: 3 m cable is required for the electrical connection through the spa skirt.

Attention

The hot tube will be installed only if the electrical contractor makes declaration of the installation of Residual-Current Device and proper fuses

Initial installation

The installation or making any repair are allowed only for properly skilled person.

Disconnecting device has to be installed when the spa is directly connected to the electricity networks.

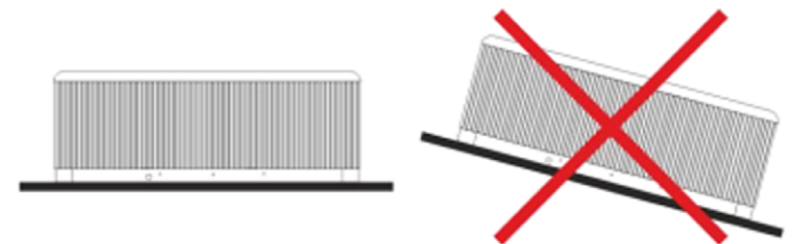
1. Site preparation

a. Indoor / Basement installation

If you place your spa indoors, be aware of some special requirements: Water may accumulate around the spa, so the flooring material must have a proper runoff to avoid accumulation of water. When building a new room for the spa, constructing a floor drain is required, or damages may occur due to overflow, overfilling, or technical failure. Our company does not take responsibility for any damage in absence of floor drainage. Humidity will naturally increase in the room where the spa is located and the evaporated water condenses. For this reason ensure that the area has proper ventilation. We recommend installing a dehumidifier in the room.

b. Outdoor and patio installation

A solid horizontal foundation is necessary for installation of the spa. We advise using a reinforced concrete foundation at least 10-15cm thick. Ensure that your deck or foundation will support your spa. You must know the maximal load capacity of the foundation. Consult a qualified building contractor or structural engineer. To find out the weight of your spa, its contents and occupants please refer to the spa specification chart. This weight must not exceed the structure's rated capacity per square meter, otherwise serious structural damages could result. If you install the spa outdoors, we recommend a reinforced horizontal concrete pad at least 10-15cm thick.



Install floor drains around your spa to lead water away even in heavy rain. When constructing the water drain it is advised to form a 10-15cm deep sloping ditch around the spa which directs water to the drain. Water from the drain must be directed to the canal or a drainage with enough capacity.

Warning: Do not expose the spa to direct sunlight (not even empty) without proper coverage. The insulated spa cover preserves the water temperature and provides protection from sunlight and rain. When exposed to sunshine for a longer period it may damage the surface of the spa and the spa equipment. Acrylic rapidly absorbs heat from sun rays, thus reaches a very high surface temperature which may damage the spa. In case of sealed design, if the spa was placed between glass structures, prevent the sun rays from reaching the spa directly through the glass as the temperature may get too high.

c. In-Ground / Sunken Spa

In case of sinking the spa into the ground you must make sufficient space for walking around the spa. For completion of maintenance works a minimum of 60cm wide inspection pit must be built around the spa.

The inspection pit's bottom must be under the bearing point of the spa so that water can flow into the pit in case of water leakage. A floor drain or sump pump should be used at the bottom of the pit to ensure continual water drainage.

In case of sinking the spa only the portion below the spa's acrylic edge can be sunk. The air of the inspection pit steams up. To prevent unpleasant odors proper ventilation must be provided (e.g. installing ventilators). The costs of pulling the spa out of the ground are borne by the user. If the aforementioned conditions are not present, setting up the spa may fail.

2. Electrical connection

All the above stated electrical preparation must be ensured by the customer. Every product has own connection drawing.

Use only copper wires. Change the fuses always with the same type. The device has to be connected to the equipotential grid.

Product family: **SwimLine**

Sheet name: **INFO**

File name: **FJ_WU00032_ENG_Amazonas-2019_W-flow_úszómedence_USA**

Projection

Wellis Magyarország Zrt.

flow rate liter/min: **4480**

Dimension SPA: **2350x5500x1470 mm**

El. nds: **240 V - 62A - 60Hz**

1 person ~75 kg

Weight of the SPA: **kg**

Control box: **GECKO YT8 + IN.K1000 - 4KW**

Water disp.: **375 kg**

Rim height: **150 mm**

Approved by: **Losteiner Sándor**

Pr. No: P-00182

Fe. No:

Number: **WU00032**

C

Minimum water: **8000 liter**

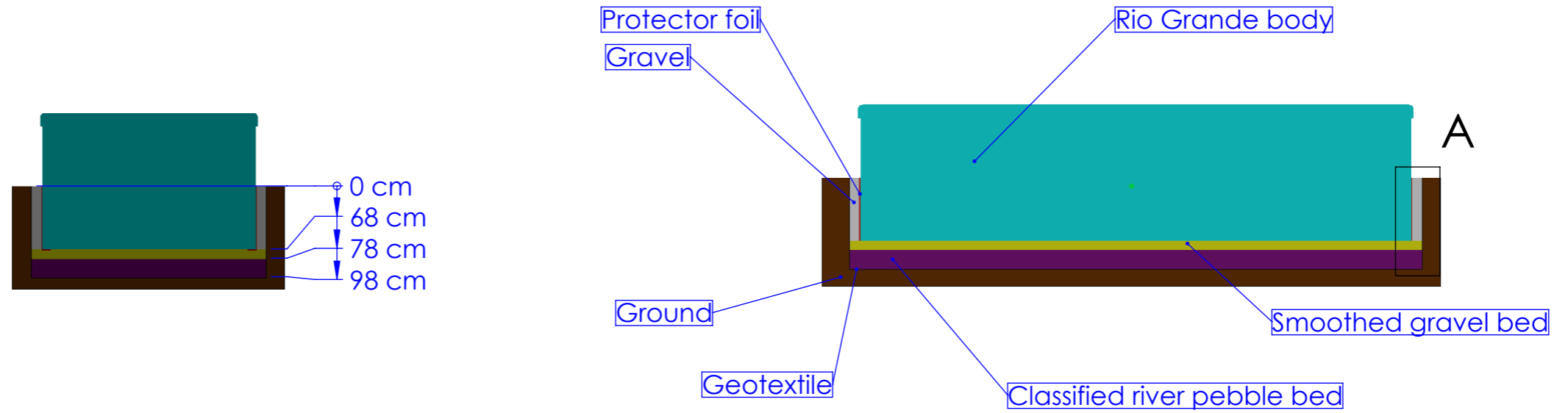
Created: **2020. 05. 15.**

Drawer: **losteiner.sandor - 2020. 05. 14. 15:15:50**

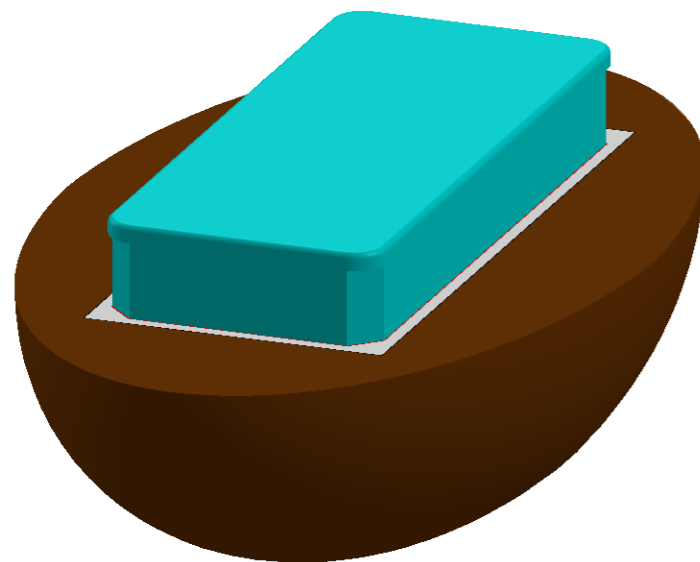
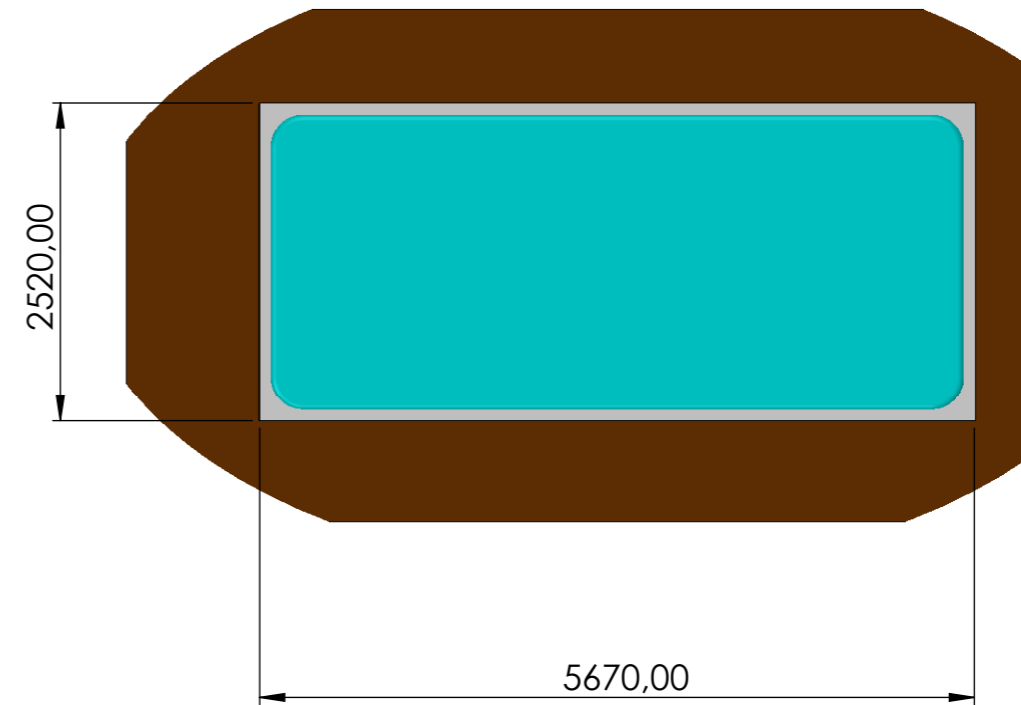
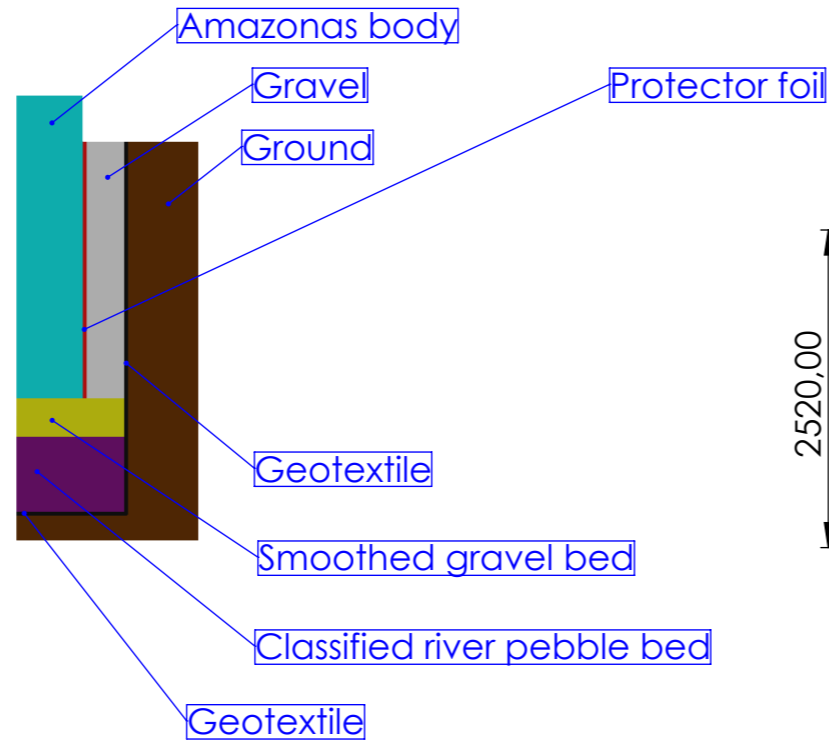
A3

M 1:50

page 2 / 3



A 1:20



Product family: **SwimLine**

Sheet name: **SEMICABINET**

File name: **FJ_WU00032_ENG_Amazonas-2019_W-flow_úszómedence_USA**

Projection



flow rate liter/min: **4480**

Dimension SPA: **2350x5500x1470 mm**

El. nds: **240 V - 62A - 60Hz**

1 person ~75 kg

Weight of the SPA: **kg**

Control box: **GECKO YT8 + IN.K1000 - 4KW**

Water disp.: **375 kg**

Rim height: **150 mm**

Approved by: **Losteiner Sándor**

Pr. No: P-00182
Fe. No:

Number: **WU00032**

C

Minimum water: **8000 liter**

Created: **2020. 05. 15.**

Drawer: **losteiner.sandor - 2020. 05. 14. 15:15:50**

A3 M 1:50

page 3 / 3