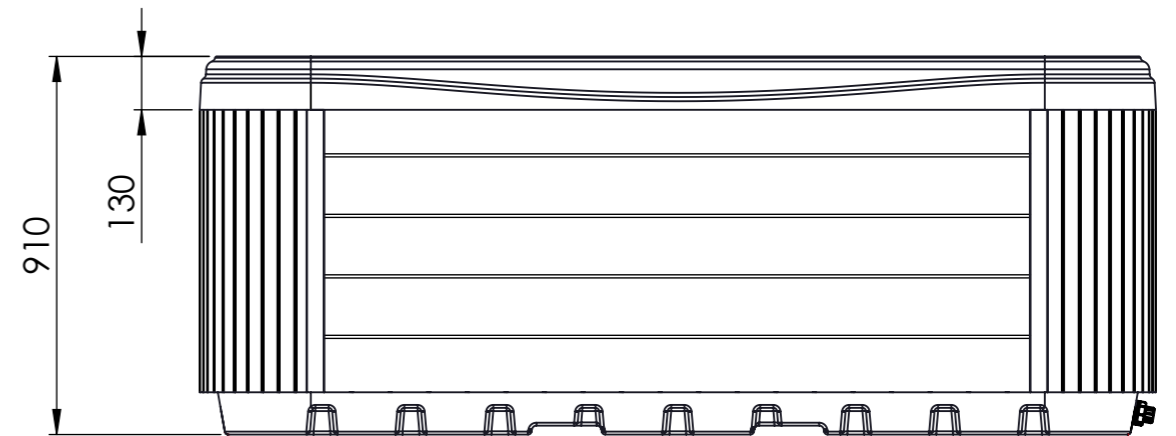
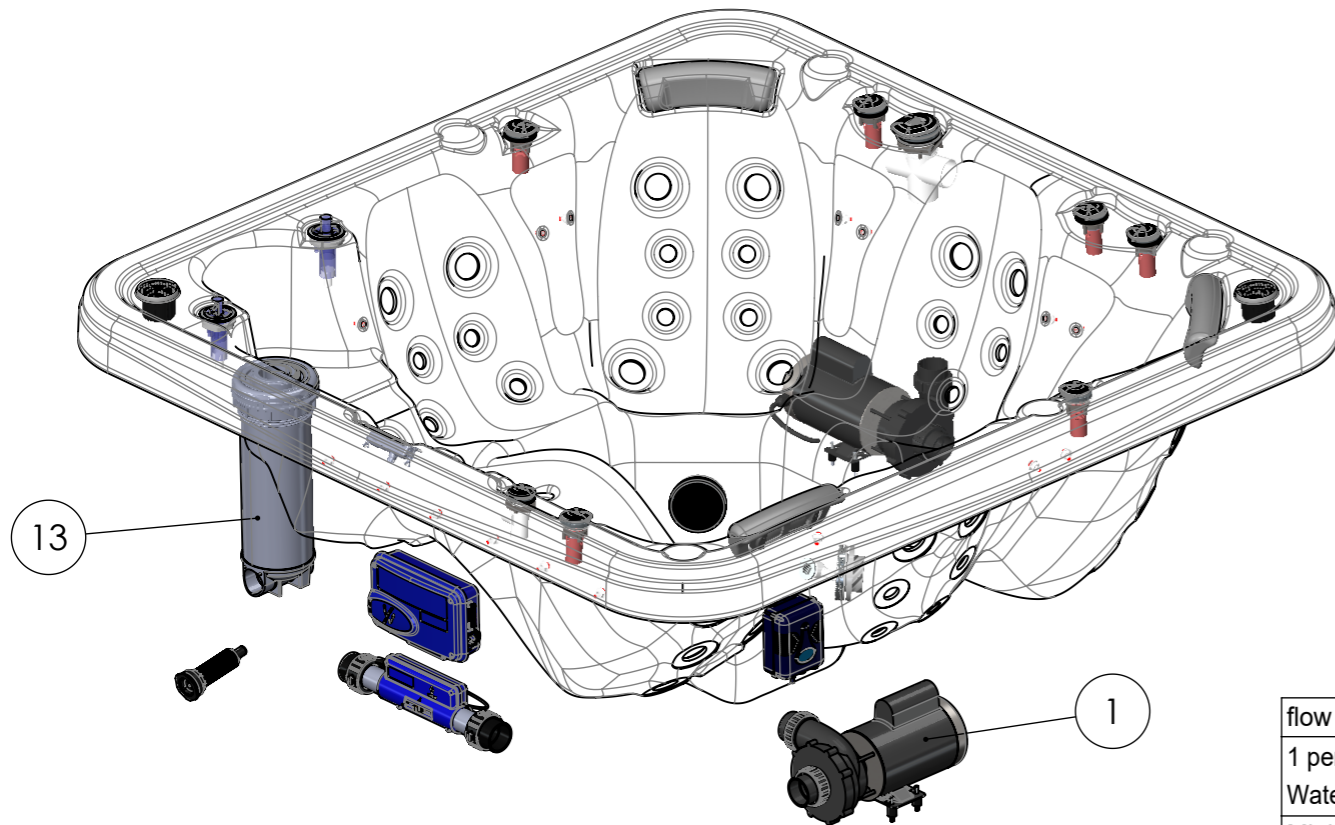


Tétel	Cikkszám	IFS megnevezés EN	Db
1	ACM0732	Spa Pump 2 HP - One Speed 60 Hz	1
2	ACM0733	Spa Pump 2 /0.9 HP- Two Speed 60 Hz	1
3	ACM0953	Control box In.YJ-3 60Hz V3	1
4	ACM0760	Control Panel IN.K300 - Two Pump	1
5	ACM0926	Heating 1-4 kW Gecko IN.YJ control	1
6	ACM0947	Ozone - Generator UL USA	1
7	AKU2218	Led housing with seal	16
8	ACM0874	Speaker 3" (2 way)	2
9	ACM0875	Grille for speaker 3" (2 way)	2
10	AJ00169	Jet - 20 SB - Ozone 90°	1
11	AKU0044	Water Pop-Up fountain	2
12	AKU0084	Water Drain - 20 RB V2	1
13	AKU1830	Filter house for floating 50 sqf filters	1
14	AKU1891	Water Diverter 60 - LED lighted V2	1
15	AKU1892	Air Regulator - house led lighted V2	6
16	AKU1893	On-Off tap house 33 transparent V2	1
17	AKU1894	Water Diverter - Grip Wellis V2	1
18	AKU1895	Air regulator grip Wellis V2	6
19	AKU1896	On-off tap grip Wellis V2	1
20	ABE0409	Suction 2" with nut	2
21	AF00042	Pillow - 318 x 113 x 60 - Pal. V2 light grey	3
22	AJ00214	Jet 2" - transparent 1 Hole transparent V3 Wellis	25
23	AJ00216	Jet 3" - transparent 1 Hole V3 Wellis	12
24	AJ00217	Jet 3" - transparent 1 Hole Rotation transparent V3 Wellis	8



You must install a 30mA Residual-current device (RCD)

Product family: **USA Line**

Sheet name: WELLIS		Projection		
File name: FJ_WM00713_ENG_Hercules (645-L) USA medence				
flow rate liter/min: 1240	Dimension SPA: 2150x2150x910 mm	El. nds: 240 V - 32A - 60Hz		
1 person ~75 kg	Weight of the SPA: 276 kg	Raklap 2200x950x145 - AE00362	Control box: GECKO YJ 3+K300 -4KW (2M)	
Water disp.: 365 kg	Rim height: 130 mm	Approved by: Loszteiner Sándor	Pr. No:	Number: WM00713
Minimum water: 882 liter	Created: 2020. 03. 24.	Drawer: loszteiner.sandor - 2020. 03. 24. 10:05:14	Fe. No:	B
				A3 M 1:17 page 1 / 1